



BENZINA^{G3}

Lowbays

Versatile and compact

BENZINA^{G3} is the next evolution in canopy lighting, combining clean architectural lines with high-performance output. Designed for versatility, it features 4 power selectable up to 150W and 200W power options, allowing the higher wattage setting to reduce fixture quantities in high-mounting applications and help lower overall installation costs.

Features

- IP65 and IK08 rating
- Low profile design
- Versatile mounting options
- Various accessories available
- Power switchable
- Diecast aluminium construction
- Integrated driver with cable and plug
- Engineered and optimised optical lens
- High ambient temperature rating (>40°C)
- Optional DALI converter accessory available
- Optional plug in motion sensor

Benefits

- Ideal for outdoor applications
- Suitable for very shallow ceiling spaces
- Expand the lighting possibilities with different mounting configurations
- Tailor the luminaire to meet the application requirements
- Improved thermal characteristics for heavy duty applications
- Provides quick and easy installation
- Premium performance for premium applications
- Long lasting in hot environments
- Designed to integrate into a larger ecosystem.
- Retrofittable option to assist in energy usage or security lighting



Product Overview

POWER	CCT	LUMENS	EFFICACY	WEIGHT	SAP CODE	PRODUCT CODE
75W/100W/120W/150W	5000 K	11,532 lm 15,963 lm 19,149 lm 23,213 lm	154 lm/W 162 lm/W 159 lm/W 156 lm/W	4.0 kg	2002712	BENZINA150WG3
75W/100W/120W/150W	4000 K	11,927 lm 15,929 lm 18,703 lm 22,234 lm	161 lm/W 160 lm/W 157 lm/W 152 lm/W	4.0 kg	2002755	BENZINA150W4K-G3
100W/150W/165W/200W	5000 K	16,258 lm 23,413 lm 25,199 lm 29,388 lm	162 lm/W 156 lm/W 156 lm/W 150 lm/W	4.1 kg	2002713	BENZINA200WG3

SPECIFICATIONS

Body Material:	Aluminium
Diffuser Material:	Polycarbonate
Body colour:	White (RAL9003)
IK Rating:	IK08
IP Rating:	IP65
Beam Angle:	120°
CRI:	> 80
SDCM:	< 6
Flicker-Free:	Yes
Warranty:	5 years
Dimming:	0 - 10V Dimmable (DALI Optional)

Driver:	Integral
Connection Type:	1.5m Flex
Input:	100-240Va.c. 50/60Hz
Electrical Classification:	Class I
Power Factor:	> 0.9
Protection:	Overload / Short Circuit
Lifespan:	>102,000hrs@Ta25 °C (L80B50)*
Operating Ambient Temperature:	-30 to 45°C
Smart:	KASTA Compatible

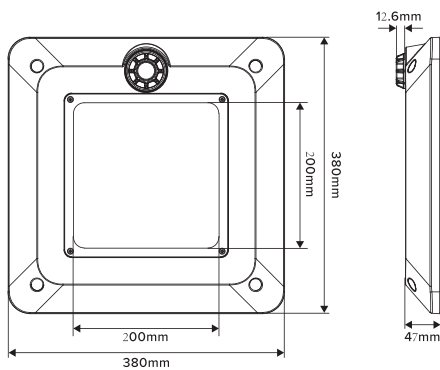
*Based on rated LED design life

APPLICATIONS

- Storage Facilities
- Manufacturing Facilities
- Cool Rooms
- General Industrial
- Warehouses

Highbays and Lowbays

DIMENSIONS (mm)



ACCESSORIES

ACCESSORIES	PRODUCT CODE
Surface Mount Box	BENZINAG3-SBOX
Recessed Mount Bracket	BENZINAG3-RCBOX
Flanged Mount Bracket	BENZINAG3-FLBKT
Glass Cover	BENZINAG3-GLCOVER
Pendant Mount Bracket	BENZINAG3-PNBOX
Remote Control of Sensor	HIGHBAY-REMOTE
Dali to 0/1-10V Signal Convertor IP65	HANECO-DC
Microwave Sensor	SKYLUX-G5/EV-MS

